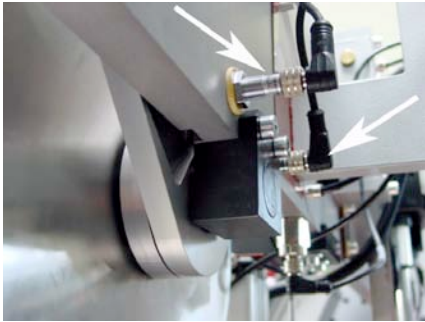
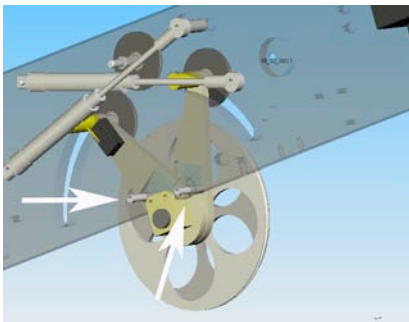


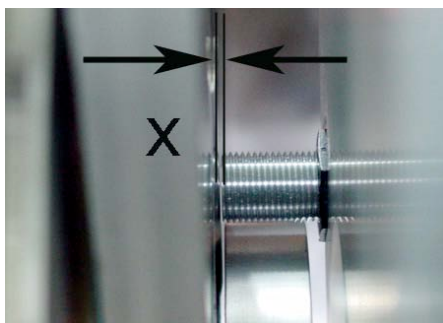
FAQ_X8_005 – The wire continues to run slowly after Control „ON“?



The sensors B1 and B2, which are mounted to main machine plate, need to be readjusted.



Here you have another viewpoint of the two sensors.



The reason, why the wire is still running is, that a distance "x" in the picture is too big. Therefore reduce the clearance for both sensors B1 and B2 to a minimum of 0.1mm.